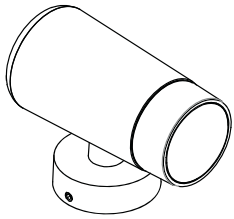


CONNY 6 DW

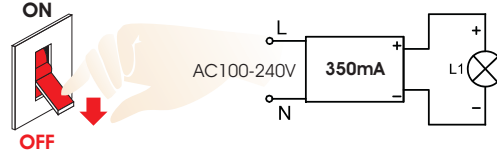
Installation Manual



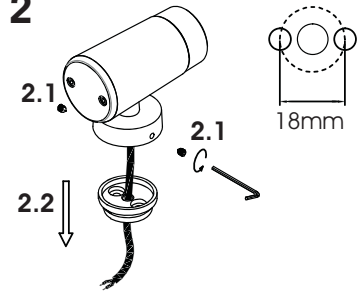
1



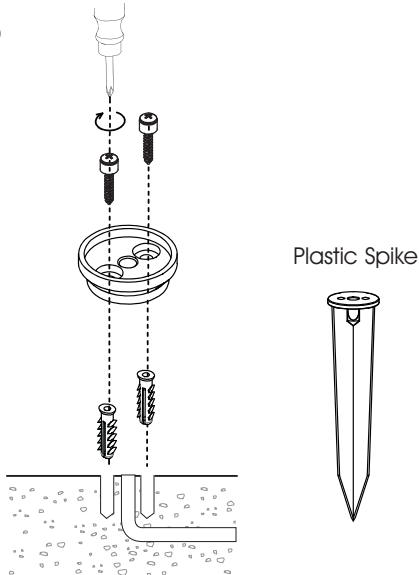
Attention
Switch off the main power.



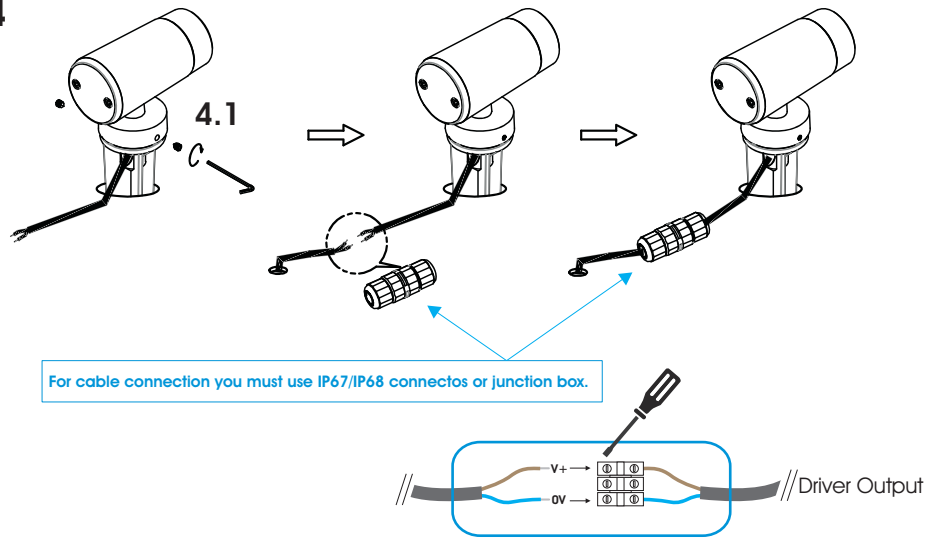
2



3

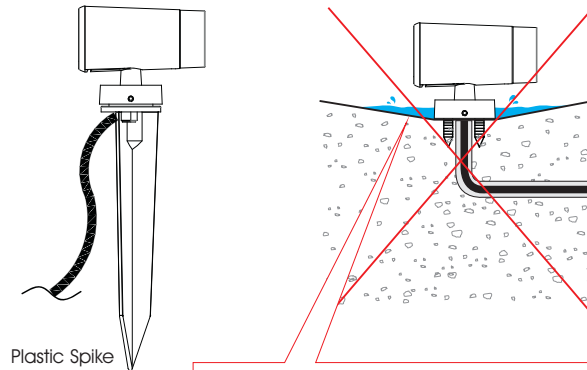
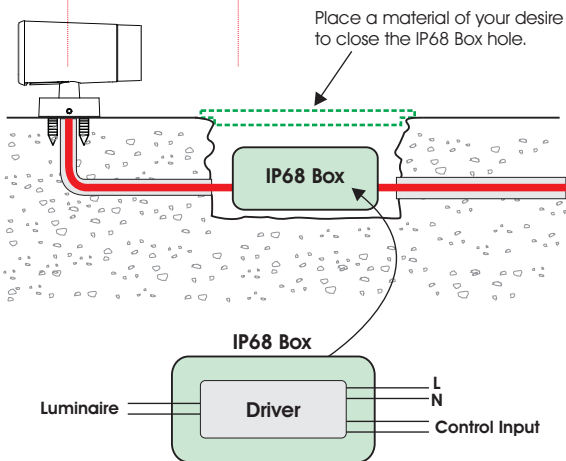


4



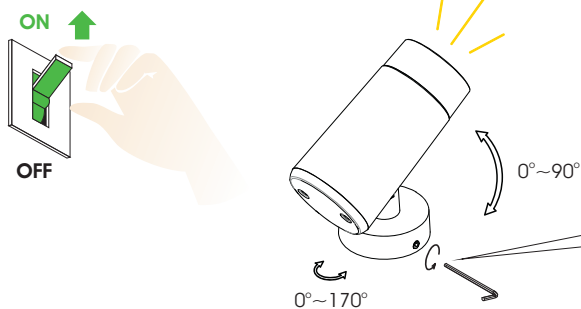
5

CAUTION:
The distance between the LED DRIVER and CONNY 6 DIM TO WARM should NOT exceed 2m!



Attention
These luminaires have an IP66 rating. Thus, the installation must not be in places where there will be constant water flow on the luminaire. Furthermore, it must not be submerged into water and the installation must have a proper drainage system. It must be insured that at the installation point there are no stagnant water!

6



Loosen both Allen screws at the base, to point the luminaire at the desired direction. Finally, please faster both Allen screws properly so as water resistance of the luminaire won't be degraded.